

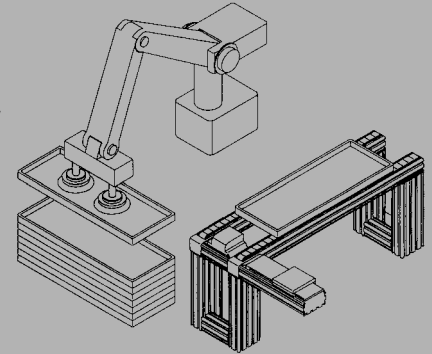
# Vacuum Pad: Large/Heavy Duty Type

## Series ZPT/ZPX





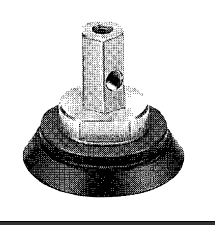

Ideal for heavy weight material or objects with a large surface area. Example: CRT, Car body

Pad diameter:  $\varnothing 40$ ,  $\varnothing 50$ ,  $\varnothing 63$ ,  $\varnothing 80$ ,  $\varnothing 100$ ,  $\varnothing 125$

Pad material: NBR, Silicon rubber, Urethane rubber, Fluoro rubber, EPR



### Variations

Type	Without buffer		With buffer		Page	
	Mounting	Vacuum entry port	Mounting	Vacuum entry port		
 <p><b>Series ZPT</b> Vertical vacuum entry</p>	Male thread  Female thread	Female thread  Common		Buffer body (Male thread)  Female thread		1190 to 1194
 <p><b>Series ZPX</b> Lateral vacuum entry</p>	Female thread	Female thread		Buffer body (Male thread)  Female thread		1195 to 1198

Series ZPT ZPX	Buffer stroke	Pad dia.					
		$\varnothing 40$	$\varnothing 50$	$\varnothing 63$	$\varnothing 80$	$\varnothing 100$	$\varnothing 125$
	25	○	○	○	○	○	○
	50	○	○	○	○	○	○
	75	○	○	○	○	○	○
	100	—	—	—	—	○	○

### Pad Material and Characteristics

◎: Little or no influence ○: Can be used depending on conditions X: Not suitable

Characteristics	Durometer HS ( $\pm 5^\circ\text{C}$ )	Operating temperature range ( $^\circ\text{C}$ )	Oil resistance gasoline	Oil resistance benzol	Base resistance	Acid resistance	Weatherability	Ozone resistance	Abrasion resistance	Waterproof	Solvent resistance (Benzene, toluene)
NBR	50 $^\circ\text{C}$	0 to 120	◎	x	○	○	x	x	◎	○	x
Silicon rubber	50 $^\circ\text{C}$	-30 to 200	x	x	○	x	◎	◎	x	○	x
Urethane rubber	50 $^\circ\text{C}$	0 to 60	◎	x	x	x	○	◎	◎	x	x
Fluoro rubber	60 $^\circ\text{C}$	0 to 250	◎	◎	x	◎	◎	◎	○	◎	◎
EPR	60 $^\circ\text{C}$	-20 to 150	x	x	◎	○	◎	◎	○	◎	x

The above table covers only general characteristics of subject rubber materials.

Pad materials used by SMC pass the nominal JIS material standards; however, actual performance depends on operating conditions.

- ZA
- ZX
- ZR
- ZM
- ZMA
- ZQ
- ZH
- ZU
- ZL
- ZY□
- ZF□
- ZP□
- SP
- ZCUK
- AMJ
- AMV
- AEP
- HEP

Related Equipment

# Vacuum Pad: Large/Heavy Duty Type Vertical Vacuum Entry Without Buffer Series ZPT



## Specifications

Mounting	Vacuum entry direction		Vertical	
	Connection		Male thread	Female thread
	Thread dia.	ø40, ø50	M14 x 1	M8 x 1.25, M10 x 1.5
		ø63, ø80	M16 x 1.5	M8 x 1.25, M10 x 1.5, M12 x 1.75, M16 x 1.5
	ø100, ø125	M16 x 1.5	M12 x 1.75, M16 x 1.5	
Vacuum entry port		1/8 (Rc, NPT, NPFT)	Use the mounting port	

## Pad Type

Pad diameter (mm)	ø40, ø50, ø63, ø80, ø100, ø125
Material (color)	NBR (Black), Silicon rubber (White), Urethane rubber (Brown), Fluororubber (Black with mark (F)), EPR (Black with mark (E))
Durometer	NBR/Silicone rubber/EPR (50°), Urethane/Fluororubber (60°)

## Mass Difference for Other Materials

Pad dia.	Silicon rubber	Urethane rubber	Fluoro-rubber	EPR
ø40	-1	0	5	-1
ø50	-1	0	8	0
ø63	-2	0	16	0
ø80	-3	1	27	-1
ø100	-5	1	53	-1
ø125	-8	3	84	0

## Mass (NBR)

Model	Mass	Model	Mass
ZPT40HN-A14	71	ZPT80HN-A16	178
ZPT40HN-B8	38	ZPT80HN-B8	144
ZPT40HN-B10	37	ZPT80HN-B10	143
ZPT50HN-A14	83	ZPT80HN-B12	141
ZPT50HN-B8	50	ZPT80HN-B16	139
ZPT50HN-B10	49	ZPT100HN-A16	350
ZPT63HN-A16	149	ZPT100HN-B12	301
ZPT63HN-B8	115	ZPT100HN-B16	299
ZPT63HN-B10	114	ZPT125HN-A16	414
ZPT63HN-B12	112	ZPT125HN-B12	365
ZPT63HN-B16	110	ZPT125HN-B16	363

Add or deduct the mass shown in the table on the left for other materials.

## How to Order

ZPT 40 H N - A14

### Pad diameter (mm)

40	40
50	50
63	63
80	80
100	100
125	125

### Pad type

H	Heavy duty
---	------------

### Mounting thread diameter

(Vacuum entry port)

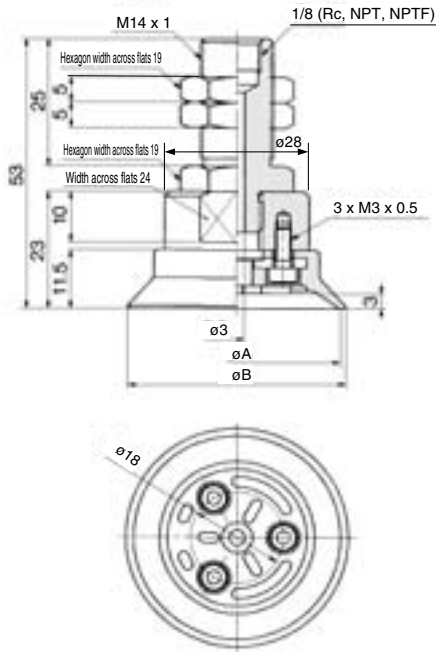
Mounting		Symbol	Thread dia. Port size	Pad dia.		
				40, 50	63, 80	100, 125
Male thread	M14 x 1	A14	Rc1/8	●	—	—
		A14N	NPT1/8	●	—	—
		A14F	NPFT1/8	●	—	—
	M16 x 1.5	A16	Rc1/8	—	●	●
		A16N	NPT1/8	—	●	●
		A16F	NPFT1/8	—	●	●
Female thread	B8	M8 x 1.25	●	●	—	
	B10	M10 x 1.5	●	●	—	
	B12	M12 x 1.75	—	●	●	
	B16	M16 x 1.5	—	●	●	

### Material

N	NBR
S	Silicon rubber
U	Urethane rubber
F	Fluororubber
E	EPR

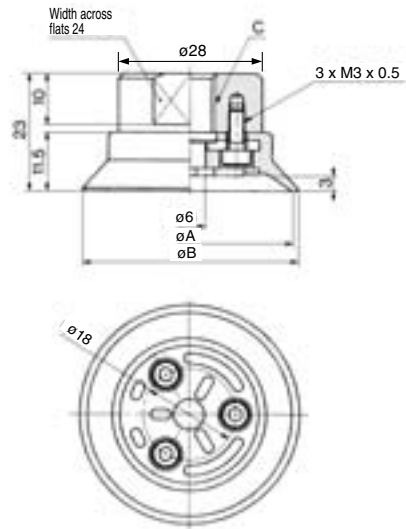
# Vacuum Pad: Large/Heavy Duty Type Vertical Vacuum Entry: Without Buffer *Series ZPT*

## ZPT<sup>40</sup>/<sub>50</sub>H□-A14 (Male thread)



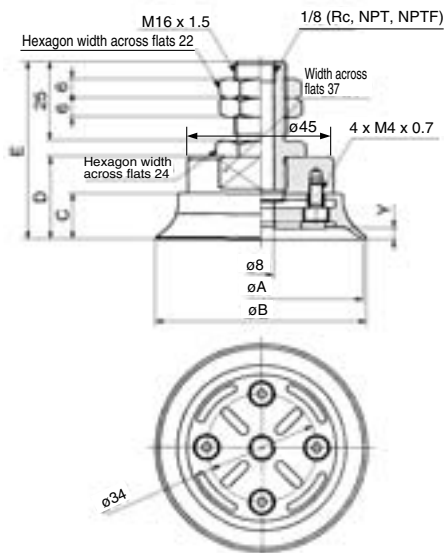
Model	A	B
ZPT40H□-A14	40	42
ZPT50H□-A14	50	52

## ZPT<sup>40</sup>/<sub>50</sub>H□-B□ (Female thread)



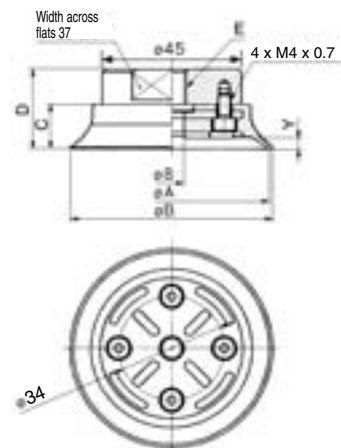
Model	A	B	C
ZPT40H□-B8	40	42	M8 x 1.25
ZPT40H□-B10	40	42	M10 x 1.5
ZPT50H□-B8	50	52	M8 x 1.25
ZPT50H□-B10	50	52	M10 x 1.5

## ZPT<sup>63</sup>/<sub>80</sub>H□-A16 (Male thread)



Model	A	B	C	D	E	Y
ZPT63H□-A16	63	65	14.5	26	56	3.5
ZPT80H□-A16	80	82	16.5	28	58	4.5

## ZPT<sup>63</sup>/<sub>80</sub>H□-B□ (Female thread)



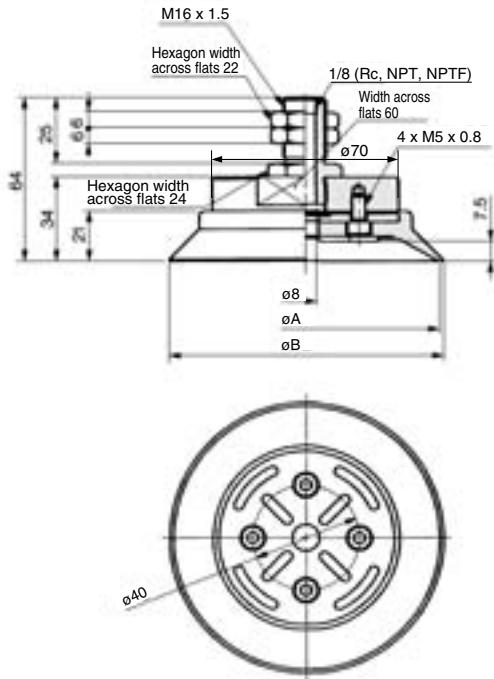
Model	A	B	C	D	E	Y
ZPT63H□-B8	63	65	14.5	26	M8 x 1.25	3.5
ZPT63H□-B10	63	65	14.5	26	M10 x 1.5	3.5
ZPT63H□-B12	63	65	14.5	26	M12 x 1.75	3.5
ZPT63H□-B16	63	65	14.5	26	M16 x 1.5	3.5
ZPT80H□-B8	80	82	16.5	28	M8 x 1.25	4.5
ZPT80H□-B10	80	82	16.5	28	M10 x 1.5	4.5
ZPT80H□-B12	80	82	16.5	28	M12 x 1.75	4.5
ZPT80H□-B16	80	82	16.5	28	M16 x 1.5	4.5

- ZA
- ZX
- ZR
- ZM
- ZMA
- ZQ
- ZH
- ZU
- ZL
- ZY□
- ZF□
- ZP□
- SP
- ZCUK
- AMJ
- AMV
- AEP
- HEP

Related Equipment

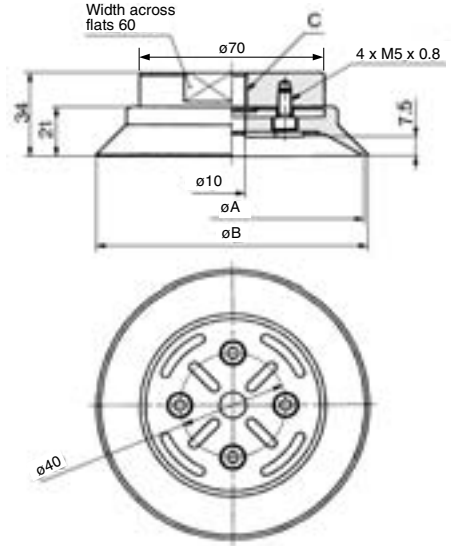
# Series ZPT

## ZPT<sup>100</sup>/<sub>125</sub>H□-A16 (Male thread)



Model	A	B
ZPT100H□-A16	100	103
ZPT125H□-A16	125	128

## ZPT<sup>100</sup>/<sub>125</sub>H□-B□ (Female thread)



Model	A	B	C
ZPT100H□-B12	100	103	M12 x 1.75
ZPT100H□-B16	100	103	M16 x 1.5
ZPT125H□-B12	125	128	M12 x 1.75
ZPT125H□-B16	125	128	M16 x 1.5

# Vacuum Pad: Large/Heavy Duty Type Vertical Vacuum Entry With Buffer

## Series ZPT



### Specifications

Mounting	Vacuum entry direction	Vertical	
	Connection	Male thread	
	Thread dia.	ø40, ø50	M18 x 1.5
		ø63, ø80	M18 x 1.5
ø100, ø125		M22 x 1.5	
Vacuum entry port		1/8" (Rc, NPT, NPTF)	

### Buffer Specifications

Buffer dia. (mm)	ø40 to ø80		ø100, ø125	
Stroke (mm)	25, 50, 75		25, 50, 75, 100	
Spring reactive force	0 stroke	6.9 N	0 stroke	10 N
	Full stroke	11.8 N	Full stroke	15 N
Non-rotating specification	Rotating (J)			

### Pad Type

Pad diameter (mm)	ø40, ø50, ø63, ø80, ø100, ø125
Material (Color)	NBR (Black), Silicon rubber (White), Urethane rubber (Brown), Fluororubber (Black with mark ⊕), EPR (Black with mark ⊕)
Durometer	NBR/Silicone rubber/EPR (50°), Urethane/Fluororubber (60°)

### Mass Difference for Other Materials

Pad dia.	Silicon rubber	Urethane rubber	Fluoro-rubber	EPR
ø40	-1	0	5	-1
ø50	-1	0	8	0
ø63	-2	0	16	0
ø80	-3	1	27	-1
ø100	-5	1	53	-1
ø125	-8	3	84	0

### Mass (NBR)

Model	Mass	Model	Mass
ZPT40HNJ25-□01-A18	125	ZPT80HNJ50-□01-A18	251
ZPT40HNJ50-□01-A18	145	ZPT80HNJ75-□01-A18	272
ZPT40HNJ75-□01-A18	166	ZPT100HNJ25-□01-A22	489
ZPT50HNJ25-□01-A18	137	ZPT100HNJ50-□01-A22	529
ZPT50HNJ50-□01-A18	157	ZPT100HNJ75-□01-A22	574
ZPT50HNJ75-□01-A18	195	ZPT100HNJ100-□01-A22	613
ZPT63HNJ25-□01-A18	202	ZPT125HNJ25-□01-A22	553
ZPT63HNJ50-□01-A18	222	ZPT125HNJ50-□01-A22	593
ZPT63HNJ75-□01-A18	243	ZPT125HNJ75-□01-A22	638
ZPT80HNJ25-□01-A18	214	ZPT125HNJ100-□01-A22	677

Add or deduct the mass shown in the table on the left for order materials.

### How to Order

ZPT 40 H N J 25 - B01 - A18

Pad diameter (mm)

40	40
50	50
63	63
80	80
100	100
125	125

Mounting thread

A18	M18 x 1.5 (ø40 to ø80)
A22	M22 x 1.5 (ø100, ø125)

Tightening torque (N·m)

Mounting thread dia.	Torque
M18 x 1.5	10.0 ±0.5
M22 x 1.5	10.0 ±0.5

Vacuum entry

B01	Rc 1/8
N01	NPT 1/8
T01	NPTF 1/8

Pad type

H	Heavy duty
---	------------

Material

N	NBR
S	Silicon rubber
U	Urethane rubber
F	Fluororubber
E	EPR

Buffer stroke (Rotating)

Stroke	ø40	ø50	ø63	ø80	ø100	ø125
25	●	●	●	●	●	●
50	●	●	●	●	●	●
75	●	●	●	●	●	●
100	—	—	—	—	●	●

ZA

ZX

ZR

ZM

ZMA

ZQ

ZH

ZU

ZL

ZY□

ZF□

ZP□

SP

ZCUK

AMJ

AMV

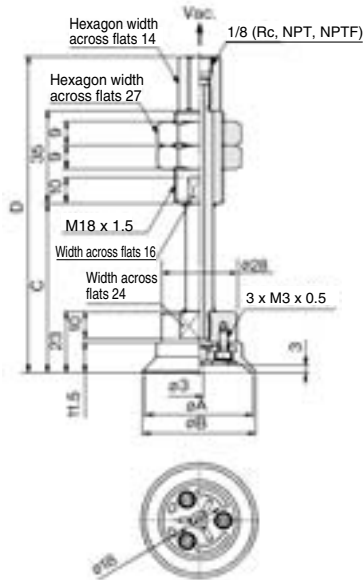
AEP

HEP

Related Equipment

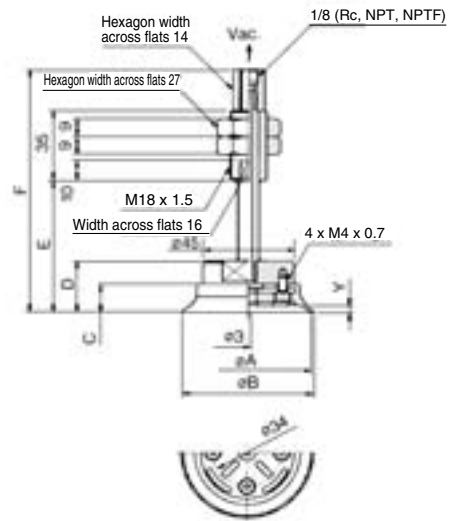
# Series ZPT

## ZPT<sub>40/50</sub>H□J□-□01-A18 (With buffer)



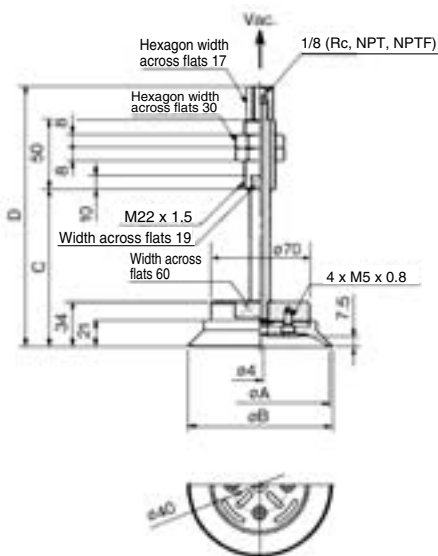
Model	A	B	C	D
ZPT40H□J25-□01-A18	40	42	63	118.5
ZPT40H□J50-□01-A18	40	42	98	153.5
ZPT40H□J75-□01-A18	40	42	134	189.5
ZPT50H□J25-□01-A18	50	52	63	118.5
ZPT50H□J50-□01-A18	50	52	98	153.5
ZPT50H□J75-□01-A18	50	52	134	189.5

## ZPT<sub>63/80</sub>H□J□-□01-A18 (With buffer)



Model	A	B	C	D	E	F	Y
ZPT63H□J25-□01-A18	63	65	14.5	26	66	121.5	3.5
ZPT63H□J50-□01-A18	63	65	14.5	26	101	156.5	3.5
ZPT63H□J75-□01-A18	63	65	14.5	26	137	192.5	3.5
ZPT80H□J25-□01-A18	80	83	16.5	28	68	123.5	4.5
ZPT80H□J50-□01-A18	80	83	16.5	28	103	158.5	4.5
ZPT80H□J75-□01-A18	80	83	16.5	28	139	194.5	4.5

## ZPT<sub>100/125</sub>H□J□-□01-A22 (With buffer)



Model	A	B	C	D
ZPT100H□J25-□01-A22	100	103	78	152
ZPT100H□J50-□01-A22	100	103	114	188
ZPT100H□J75-□01-A22	100	103	154	228
ZPT100H□J100-□01-A22	100	103	189	263
ZPT125H□J25-□01-A22	125	128	78	152
ZPT125H□J50-□01-A22	125	128	114	188
ZPT125H□J75-□01-A22	125	128	154	228
ZPT125H□J100-□01-A22	125	128	189	263

# Vacuum Pad: Large/Heavy Duty Type Lateral Vacuum Entry Without Buffer

## Series ZPX



### Specifications

Mounting	Vacuum entry direction	Lateral	
	Connection	Female thread	
	Thread dia.	ø40, ø50	M8 x 1.25, M10 x 1.5
		ø63, ø80	M10 x 1.5, M12 x 1.75
ø100, ø125		M10 x 1.5, M12 x 1.75	
Vacuum entry port		1/8 (Rc, NPT, NPTF)	

### Pad Type

Pad diameter (mm)	ø40, ø50, ø63, ø80, ø100, ø125
Material (Color)	NBR (Black), Silicon rubber (White), Urethane rubber (Brown), Fluororubber (Black with mark $\text{\textcircled{F}}$ ), EPR (Black with mark $\text{\textcircled{E}}$ )
Durometer	NBR/Silicone rubber/EPR (50°), Urethane/Fluororubber (60°)

### Mass Difference for Other Materials

Pad dia.	Silicon rubber	Urethane rubber	Fluoro-rubber	EPR
ø40	-1	0	5	-1
ø50	-1	0	8	0
ø63	-2	0	16	0
ø80	-3	1	27	-1
ø100	-5	1	53	-1
ø125	-8	3	84	0

### Mass (NBR)

Model	Mass	Model	Mass
ZPX40H□-□01-B8	148	ZPX100H□-□01-B10	418
ZPX40H□-□01-B10	150	ZPX100H□-□01-B12	414
ZPX50H□-□01-B8	160	ZPX125H□-□01-B10	482
ZPX50H□-□01-B10	158	ZPX125H□-□01-B12	478
ZPX63H□-□01-B10	229		
ZPX63H□-□01-B12	219		
ZPX80H□-□01-B10	258		
ZPX80H□-□01-B12	254		

Add or deduct the mass shown in the table on the left for order materials.

### How to Order

**ZPX 40 H N - B01 - B8**

Pad diameter (mm)

40	ø40
50	ø50
63	ø63
80	ø80
100	ø100
125	ø125

Mounting thread

	ø40, ø50	ø63, ø80	ø100, ø125
B8	M8 x 1.25	—	—
B10	M10 x 1.5	●	●
B12	M12 x 1.75	—	●

Vacuum entry

B01	Rc 1/8
N01	NPT 1/8
T01	NPTF 1/8

Pad type

H	Heavy duty
---	------------

Material

N	NBR
S	Silicon rubber
U	Urethane rubber
F	Fluororubber
E	EPR

ZA

ZX

ZR

ZM

ZMA

ZQ

ZH

ZU

ZL

ZY□

ZF□

ZP□

SP

ZCUK

AMJ

AMV

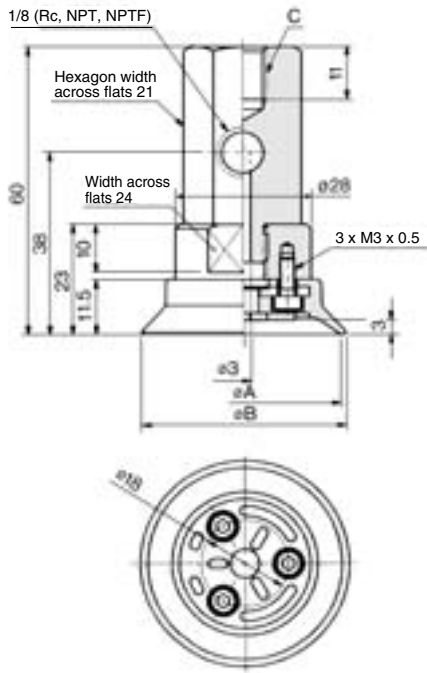
AEP

HEP

Related Equipment

# Series ZPX

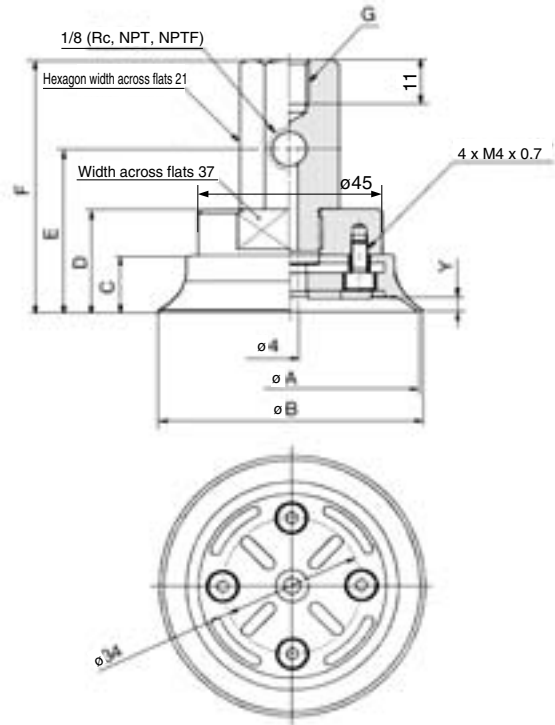
## ZPX<sub>40</sub><sup>40</sup>H□-□01-B□ (Female thread)



(mm)

Model	A	B	C
ZPX40H□-□01-B8	40	42	M8 x 1.25
ZPX40H□-□01-B10	40	42	M10 x 1.5
ZPX50H□-□01-B8	50	52	M8 x 1.25
ZPX50H□-□01-B10	50	52	M10 x 1.5

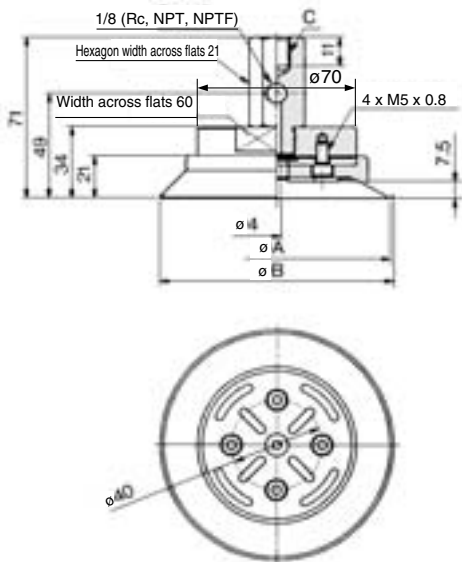
## ZPX<sub>63</sub><sup>63</sup>H□-□01-B□ (Female thread)



(mm)

Model	A	B	C	D	E	F	Y	G
ZPX63H□-□01-B10	63	65	14.5	26	41	63	3.5	M10 x 1.5
ZPX63H□-□01-B12	63	65	14.5	26	41	63	3.5	M12 x 1.75
ZPX80H□-□01-B10	80	82	16.5	28	43	65	4.5	M10 x 1.5
ZPX80H□-□01-B12	80	82	16.5	28	43	65	4.5	M12 x 1.75

## ZPX<sub>100</sub><sup>100</sup>H□-□01-B□ (Female thread)



(mm)

Model	A	B	C
ZPX100H□-□01-B10	100	103	M10 x 1.5
ZPX100H□-□01-B12	100	103	M12 x 1.75
ZPX125H□-□01-B10	125	128	M10 x 1.5
ZPX125H□-□01-B12	125	128	M12 x 1.75



# Vacuum Pad: Large/Heavy Duty Type Lateral Vacuum Entry With Buffer

## Series ZPX



### Specifications

Mounting	Vacuum entry direction	Lateral					
	Connection	Male thread					
	Thread dia.	<table border="1"> <tr><td>ø40, ø50</td><td>M18 x 1.5</td></tr> <tr><td>ø63, ø80</td><td>M18 x 1.5</td></tr> <tr><td>ø100, ø125</td><td>M22 x 1.5</td></tr> </table>	ø40, ø50	M18 x 1.5	ø63, ø80	M18 x 1.5	ø100, ø125
ø40, ø50	M18 x 1.5						
ø63, ø80	M18 x 1.5						
ø100, ø125	M22 x 1.5						
Vacuum entry port		1/8 (Rc, NPT, NPTF)					

### Buffer Specifications

Buffer dia. (mm)	ø40 to ø80	ø100, ø125		
Stroke (mm)	25, 50, 75	25, 50, 75, 100		
Spring reactive force	0 stroke	6.9 N	0 stroke	10 N
	Full stroke	11.8 N	Full stroke	15 N
Non-rotating specification	Rotating (J)			

### Pad Type

Pad diameter (mm)	ø40, ø50, ø63, ø80, ø100, ø125
Material (Color)	NBR (Black), Silicon rubber (White), Urethane rubber (Brown), Fluororubber (Black with mark (F)), EPR (Black with mark (E))
Durometer	NBR/Silicone rubber/EPR (50°), Urethane/Fluororubber (60°)

### Mass Difference for Other Materials

Pad dia.	Silicon rubber	Urethane rubber	Fluoro-rubber	EPR
ø40	-1	0	5	-1
ø50	-1	0	8	0
ø63	-2	0	16	0
ø80	-3	1	27	-1
ø100	-5	1	53	-1
ø125	-8	3	84	0

### Mass (NBR)

Model	Mass	Model	Mass
ZPX40HNJ25-□01-A18	266	ZPX80HNJ50-□01-A18	401
ZPX40HNJ50-□01-A18	287	ZPX80HNJ75-□01-A18	424
ZPX40HNJ75-□01-A18	310	ZPX100HNJ25-□01-A22	638
ZPX50HNJ25-□01-A18	278	ZPX100HNJ50-□01-A22	677
ZPX50HNJ50-□01-A18	299	ZPX100HNJ75-□01-A22	721
ZPX50HNJ75-□01-A18	322	ZPX100HNJ100-□01-A22	760
ZPX63HNJ25-□01-A18	351	ZPX125HNJ25-□01-A22	702
ZPX63HNJ50-□01-A18	372	ZPX125HNJ50-□01-A22	741
ZPX63HNJ75-□01-A18	395	ZPX125HNJ75-□01-A22	785
ZPX80HNJ25-□01-A18	380	ZPX125HNJ100-□01-A22	824

Add or deduct the mass shown in the table on the left for order materials.

### How to Order

ZPX 40 H N J 25 - B01 - A18

#### Pad diameter (mm)

40	40
50	50
63	63
80	80
100	100
125	125

#### Mounting thread

A18	M18 x 1.5 (ø40 to ø80)
A22	M22 x 1.5 (ø100, ø125)

#### Tightening torque (N·m)

Mounting thread dia.	Torque
M18 x 1.5	10.0 ± 0.5
M22 x 1.5	10.0 ± 0.5

#### Vacuum entry

B01	Rc 1/8
N01	NPT 1/8
T01	NPTF 1/8

#### Buffer stroke (Rotating)

Stroke	ø40	ø50	ø63	ø80	ø100	ø125
25	●	●	●	●	●	●
50	●	●	●	●	●	●
75	●	●	●	●	●	●
100	—	—	—	—	●	●

#### Pad type

H	Heavy duty
---	------------

#### Material

N	NBR
S	Silicon rubber
U	Urethane rubber
F	Fluororubber
E	EPR

ZA

ZX

ZR

ZM

ZMA

ZQ

ZH

ZU

ZL

ZY□

ZF□

ZP□

SP

ZCUK

AMJ

AMV

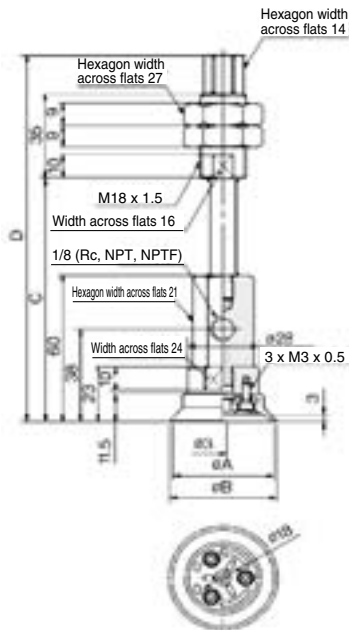
AEP

HEP

Related Equipment

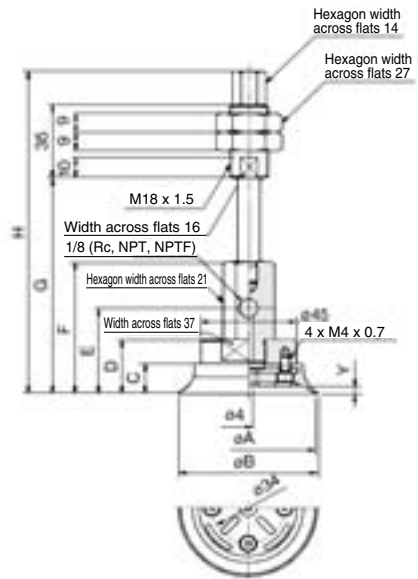
# Series ZPX

## ZPX<sub>40</sub><sup>50</sup>H□J□-□01-A18 (With buffer)



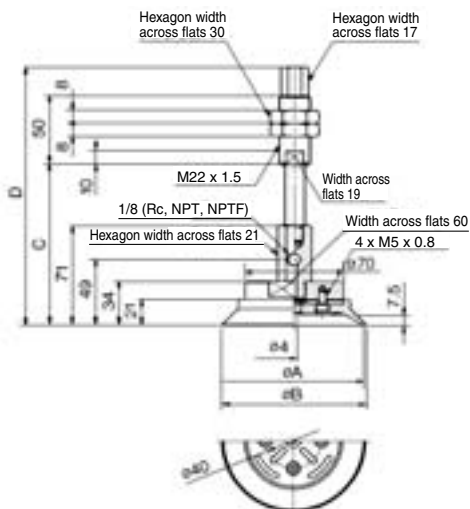
Model	A	B	C	D
ZPX40H□J25-□01-A18	40	42	100	151
ZPX40H□J50-□01-A18	40	42	135	186
ZPX40H□J75-□01-A18	40	42	171	222
ZPX50H□J25-□01-A18	50	52	100	151
ZPX50H□J50-□01-A18	50	52	135	186
ZPX50H□J75-□01-A18	50	52	171	222

## ZPX<sub>63</sub><sup>80</sup>H□J□-□01-A18 (With buffer)



Model	A	B	C	D	E	F	G	H	Y
ZPX63H□J25-□01-A18	63	65	14.5	26	41	63	103	154	3.5
ZPX63H□J50-□01-A18	63	65	14.5	26	41	63	136	189	3.5
ZPX63H□J75-□01-A18	63	65	14.5	26	41	63	172	225	3.5
ZPX80H□J25-□01-A18	80	82	16.5	28	43	65	105	156	4.5
ZPX80H□J50-□01-A18	80	82	16.5	28	43	65	138	191	4.5
ZPX80H□J75-□01-A18	80	82	16.5	28	43	65	174	227	4.5

## ZPX<sub>100</sub><sup>125</sup>H□J□-□01-A22 (With buffer)

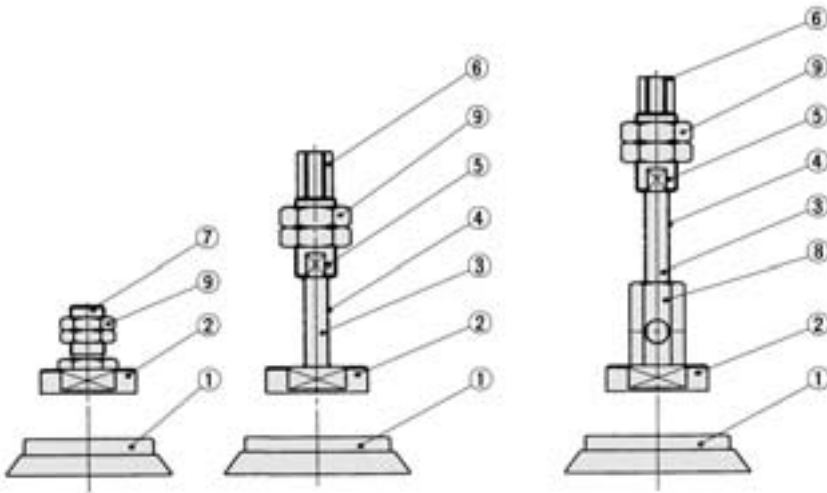


Model	A	B	C	D
ZPX100H□J25-□01-A22	100	103	115	186
ZPX100H□J50-□01-A22	100	103	151	222
ZPX100H□J75-□01-A22	100	103	191	262
ZPX100H□J100-□01-A22	100	103	226	297
ZPX125H□J25-□01-A22	125	128	115	186
ZPX125H□J50-□01-A22	125	128	151	222
ZPX125H□J75-□01-A22	125	128	191	262
ZPX125H□J100-□01-A22	125	128	226	297

## Construction

### Series ZPT

### Series ZPX



### Component Parts

No.	Description	Material	Surface treatment
1	Pad	NBR, Silicone rubber, Urethane rubber, Fluororubber, EPR	—
2	Adapter plate	Aluminum	—
3	Piston rod	Carbon steel	Hard chrome plated
4	Spring	Stainless steel	—
5	Buffer body	Aluminum	—
6	Buffer adapter	Brass	Electroless nickel plated
7	Adapter A	Brass	Electroless nickel plated
8	X type adaptor	Brass	Electroless nickel plated
9	Mounting nut	Roller steel	Nickel plated

## Replacement Parts/Pad Unit

### How to Order Pad Unit

**ZP 40 H N**

Pad dia. (mm) → Material → Pad type

Pad dia. (mm)	Material	Pad type
40	N	H
50	S	
63	U	
80	F	
100	E	
125		

Material Legend:

N	NBR
S	Silicon rubber
U	Urethane rubber
F	Fluororubber
E	EPR

Pad type Legend:

H	Heavy duty
---	------------

### Pad Unit Mass

(NBR) (g)

Model	Mass
ZP40HN	15
ZP50HN	27
ZP63HN	57
ZP80HN	86
ZP100HN	160
ZP125HN	224

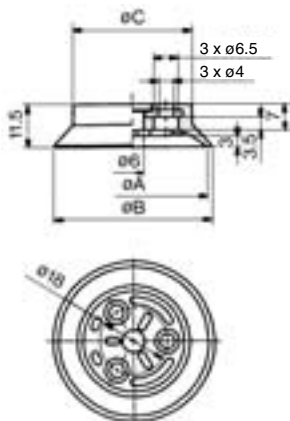
### Mass Difference for Other Materials (g)

Pad dia.	Silicon rubber	Urethane rubber	Fluoro-rubber	EPR
ø40	-1	0	5	-1
ø50	-1	0	8	0
ø63	-2	0	16	0
ø80	-3	1	27	-1
ø100	-5	1	53	-1
ø125	-8	3	84	0

Add NBR mass to the table on the right for other materials.

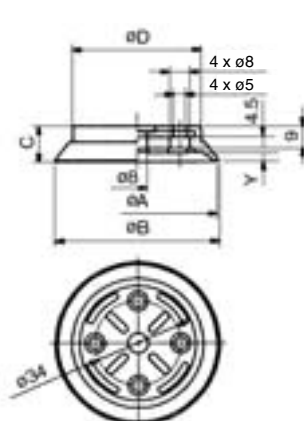
## Dimensions

### ZP<sub>40</sub><sup>50</sup>H □



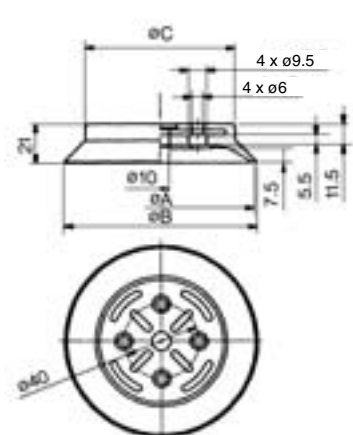
Model	A	B	C
ZP40H □	40	42	32
ZP50H □	50	52	42

### ZP<sub>63</sub><sup>80</sup>H □



Model	A	B	C	D	Y
ZP63H □	63	65	14.5	50	3.5
ZP80H □	80	82	16.5	61	4.5

### ZP<sub>100</sub><sup>125</sup>H □

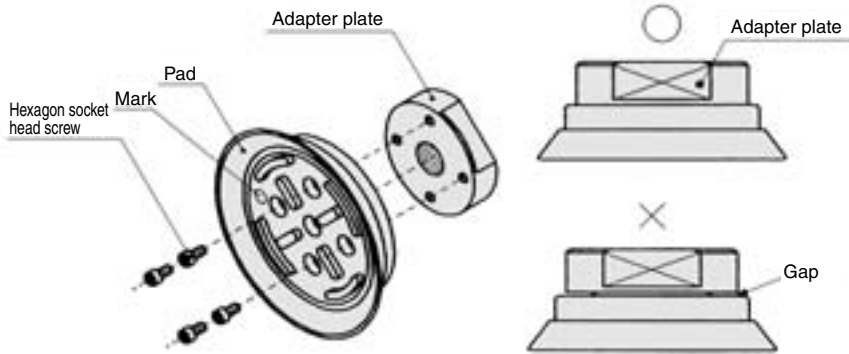


Model	A	B	C
ZP100H □	100	103	80
ZP125H □	125	128	104

ZA  
ZX  
ZR  
ZM  
ZMA  
ZQ  
ZH  
ZU  
ZL  
ZY □  
ZF □  
ZP □  
SP  
ZCUK  
AMJ  
AMV  
AEP  
HEP  
Related Equipment

# Series ZPT/ZPX

## How to Replace the Pad



Remove bolts with a hex. key wrench from the pad underside. Tighten new pad with the bolts ensuring there is no gap between the adapter plate and the pad.

## How to Distinguish Different Pad Materials

Check for the indicator mark on the pad's interior surface as shown in the figure at left.

Material	Color	Mark
NBR	Black	—
Silicon rubber	White	—
Urethane rubber	Brown	—
Fluoro rubber	Black	Ⓣ
EPR	Black	ⓔ

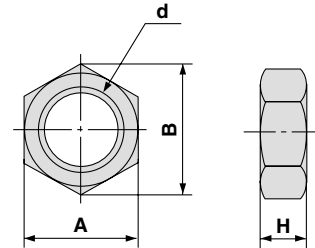
## Replacement Parts/Mounting Nut

### How to Order

**ZPNA - M16**

● Mounting thread

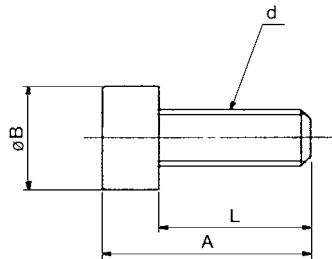
<b>M14</b>	M14 x 1
<b>M16</b>	M16 x 1.5
<b>M18</b>	M18 x 1.5
<b>M22</b>	M22 x 1.5



Model	A	B	d	H
<b>ZPNA-M14</b>	19	21.9	M14 x 1	5
<b>ZPNA-M16</b>	22	25.4	M16 x 1.5	6
<b>ZPNA-M18</b>	27	31.2	M18 x 1.5	9
<b>ZPNA-M22</b>	30	34.6	M22 x 1.5	8

## Bolts

### Dimensions



A	B	d	L
11	5.5	M3 x 0.5	8
12	7	M4 x 0.7	8
15	8.5	M5 x 0.8	10