

Large Flow Lubricator Series AL800/900

Individual lubrication Large flow type



AL800

AL900

JIS Symbol



Standard Specifications

Model	AL800	AL900
Port size	1 1/4 1 1/2	2
Fluid	Air	
Proof pressure	1.5 MPa	
Max. operating pressure	1.0 MPa	
Min. operating flow (ℓ/min (ANR)) ^{Note)}	1 1/4 : 460 1 1/2 : 650	1800
Bowl capacity (cm ³)	500 (Capacity between levels 440)	
Recommended lubricant	Turbine oil Class 1 (With no additives), ISO VG32	
Ambient and fluid temperature	-5 to 60°C (No freezing)	
Bowl material	Polycarbonate	
Mass (kg)	1.62	1.67
Accessory (Standard)	Bowl guard	●



Note) • Conditions: Inlet pressure = 0.5 MPa, Number of drop = 5 drops/min, Turbine oil Class 1 (with no additives) ISO VG32, Temperature = 20°C, Needle fully open
• Use consumption air flow for operating minimum flow.

How to Order

AL 80 0 - 12 - 23 - R

• Lubricator

• Body size

80	1 1/2
90	2

• Port size

12	1 1/4
14	1 1/2
20	2

• Thread type

Nil	Rc
N	NPT
F	G

• Option

R Flow direction: Right → Left

1	1000 cm ³ tank
1S-1	1000 cm ³ tank with switch (Bottom limit ON)
1S-2	1000 cm ³ tank with switch (Bottom limit OFF)
2	Metal bowl
3	With drain cock
6	Nylon bowl (Including sight dome)
8	Metal bowl with level gauge

• When specifying more than one option, please list alphabetically. (Example) 23-R

Option Combinations

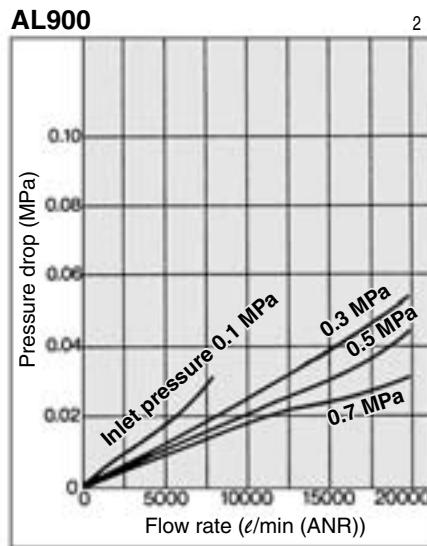
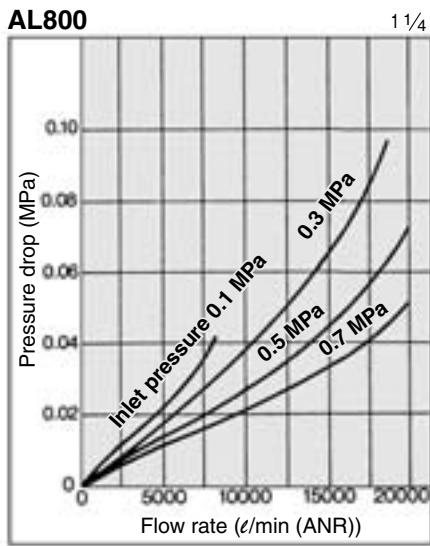
◎ Available □ Not available

Accessory, Option	Symbol	Option							
		1	1S-1	1S-2	2	3	6	8	R
1000 cm ³ tank	-1	◎	□	□	□	□	□	□	◎
1000 cm ³ (With switch) Bottom limit ON	-1S-1	□	◎	□	□	□	□	□	◎
1000 cm ³ (With switch) Bottom limit OFF	-1S-2	□	□	◎	□	□	□	□	◎
Metal bowl	-2	□	□	□	◎	□	□	□	◎
Lubricator with drain cock	-3	□	□	□	◎	□	◎	◎	◎
Nylon bowl	-6	□	□	□	□	◎	□	□	◎
Metal bowl with level gauge	-8	□	□	□	□	□	◎	□	◎
Flow direction: Right to left	-R	◎	◎	◎	◎	◎	◎	◎	□



Note) -1, -1S-1 and -1S-2 are with metal bowl with level gauge and with drain cock.

Flow Characteristics (Representative Value)

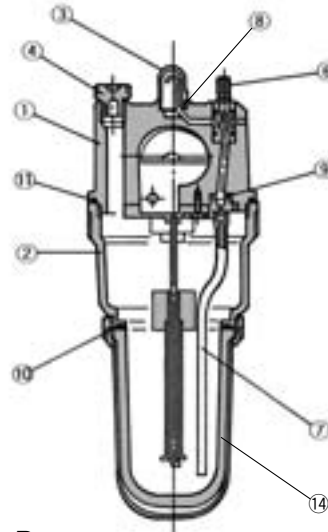
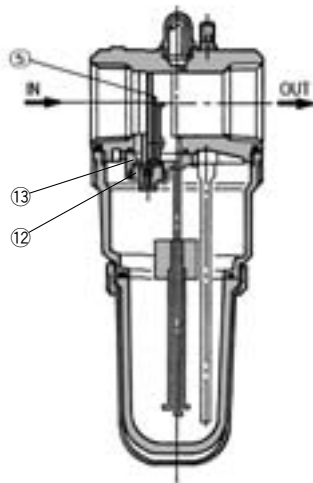


Construction

JIS Symbol



AL800/900



Component Parts

No.	Description	Material		Note
		AL800	AL900	
1	Body	Aluminum die-casted	Aluminum casted	Platinum silver painted
2	Housing	Aluminum die-casted		Platinum silver painted

Replacement Parts

No.	Description	Material	Part no.		Qty.		
			AL800	AL900			
3	Sight dome	Standard	Polycarbonate	12316	12316	1	
		-6	Nylon	123156	123156		
4	Lubrication plug assembly	—		12314PA	12314PA	1	
5	Bumper assembly	Standard	—	123413A-1(12)	123528A	1	
				123413A-2(14)			
				123417A(12) <small>Note 1)</small>	123528-1A		
				123416A(14) <small>Note 1)</small>			
6	Needle stud assembly	—		123128PA	123128PA	1	
7	Siphon tube assembly	Standard	—	123321A	123321A	1	
				-8	123321-1A		123321-1A
				-1	123321-4A		123321-4A
8	Sight dome seal	Urethane rubber		12318	12318	1	
9	Siphon nut seal	Urethane rubber		123111	123111	1	
10	Bowl O-ring	NBR		113136	113136	1	
11	Housing O-ring	NBR	JIS B2401 G90	JIS B2401 G90	JIS B2401 G90	1	
12	Bumper retainer assembly	-2, -8	—	123032A	—	1	
13	Bumper retainer seal	-2, -8	NBR	123058	—	1	
14	Case assembly	Standard	—	AL12-4(123120) <small>Note 2)</small>	AL12-4(123120) <small>Note 2)</small>	1	
				-2	AL12-4-2		
				-3	AL12-4-3(11316A) <small>Note 2)</small>		AL12-4-3(11316A) <small>Note 2)</small>
				-6	AL12-4-6(1231103) <small>Note 2)</small>		AL12-4-6(1231103) <small>Note 2)</small>
				-8	AL-8		AL-8
				-1	800147AP		800147AP
				-1S-1	800147A-S1P		800147A-S1P
				-1S-2	800147A-S2P		800147A-S2P

Note 1) Description: Bumper assembly
 Note 2) This is an assembly of a case, a case guard and a clamp ring.
 (): Part number for the case only
 -3 indicates an assembly of a case and a drain cock.

AL800
AL900

ALF
ALT

ALD

ALB

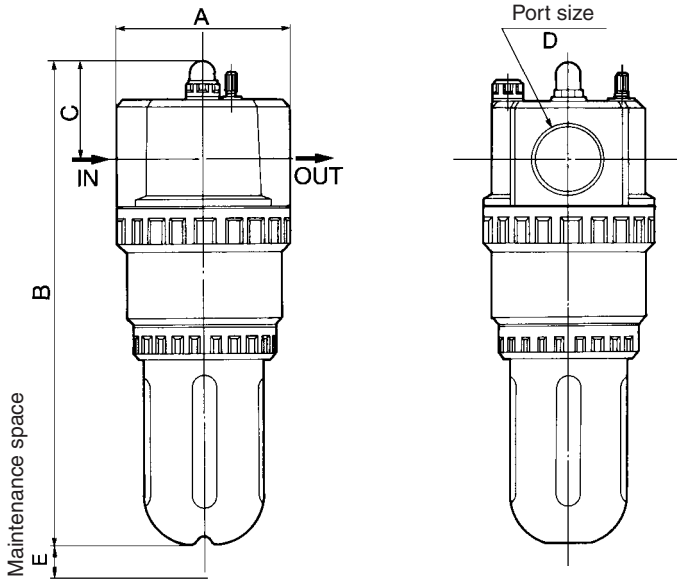
LMU

ALIP

Series AL800/900

Dimensions

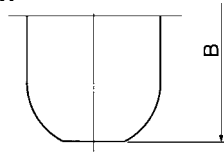
AL800/900



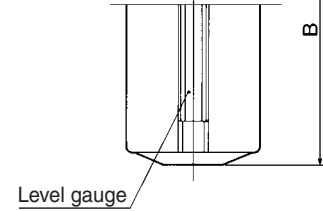
Model	Port size D	A	B	C	E
AL800	1¼, 1½	100	283	59	125
AL900	2	100	288	63	125

Option

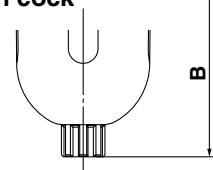
Metal bowl



Metal bowl with level gauge

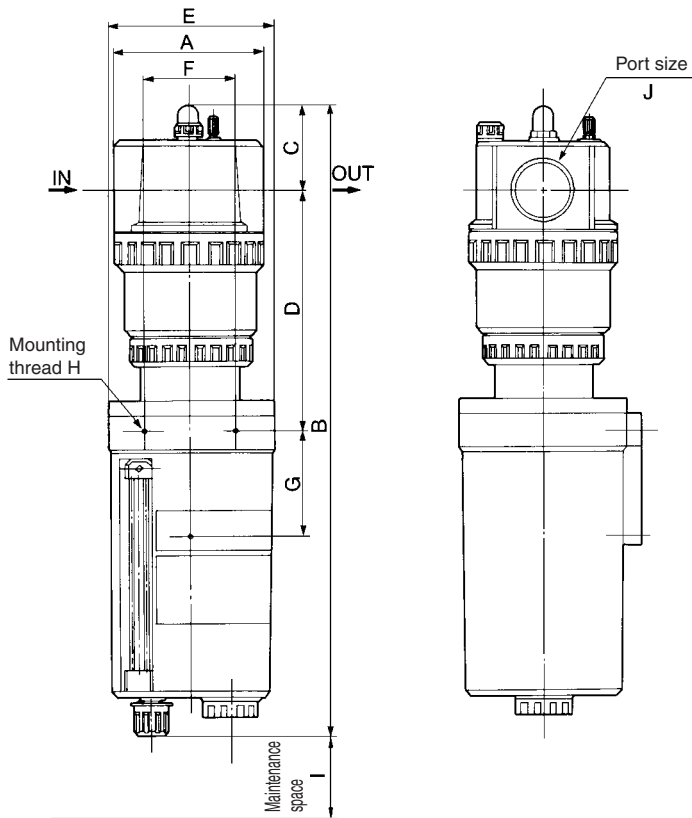


With drain cock



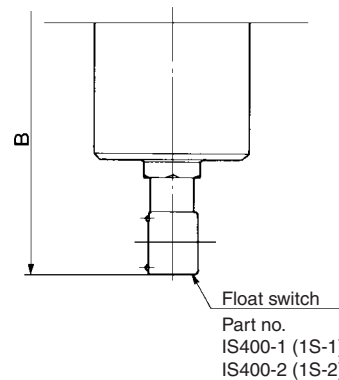
Model	Metal bowl B	Metal bowl with level gauge B	With drain cock B
AL800	275	307	300
AL900	280	312	305

Option Specifications/1000 cm³ Tank



Float switch

Contact point capacity: AC: 15 VA, DC: 15 W
Contact point construction: 1a, 1b



Model	Port size J	A	B*	C	D	E	F	G	H	I
AL800-12 to 14-1	1¼, 1½	100	431 (481)	59	166	ø117	60	73	3 x M5 x 0.8 x depth 6	230
AL900-20-1	2	100	437 (487)	63	162	ø117	60	73	3 x M5 x 0.8 x depth 6	230

* (): With float switch